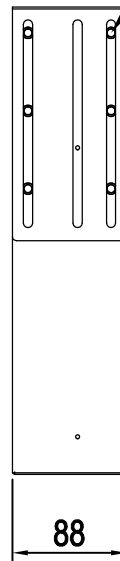
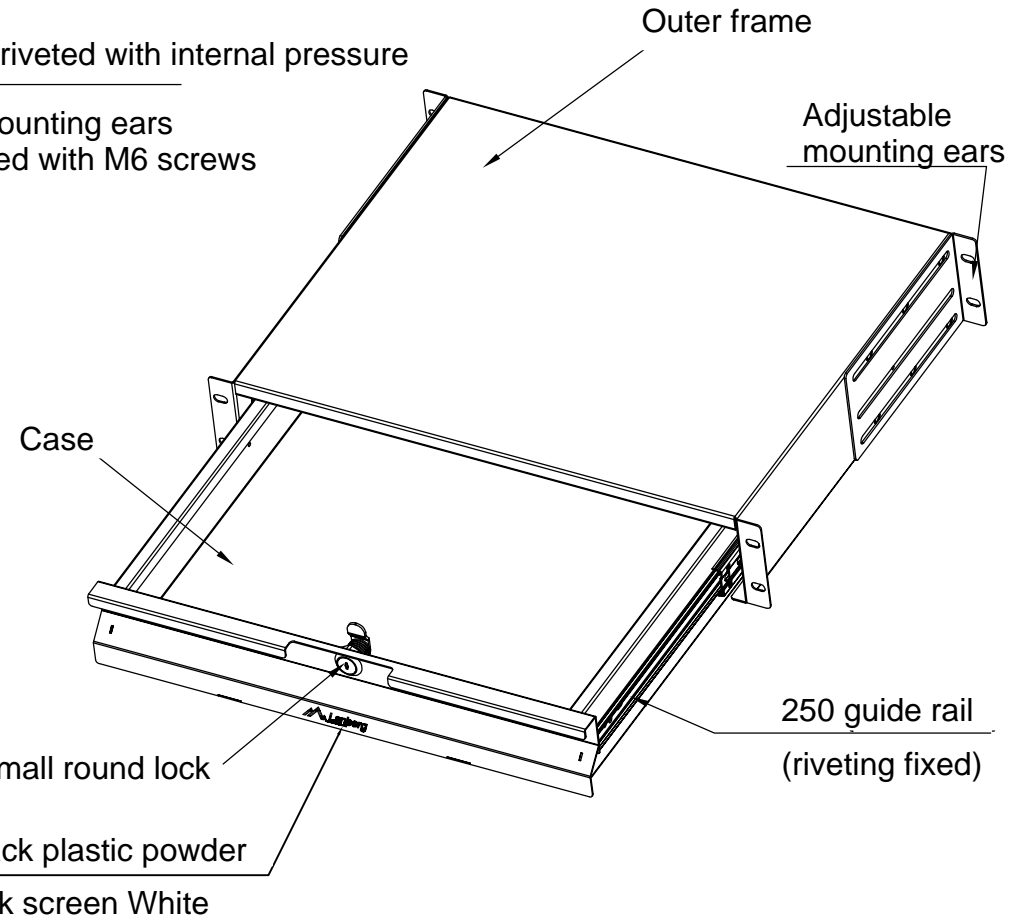


6pcs M6 nuts are riveted with internal pressure



The mounting ears are fixed with M6 screws



Material thickness:
 1. Case & outer frame: 1.2MM
 2. Adjustable mounting ears: 1.5MM